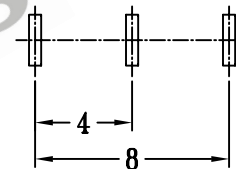
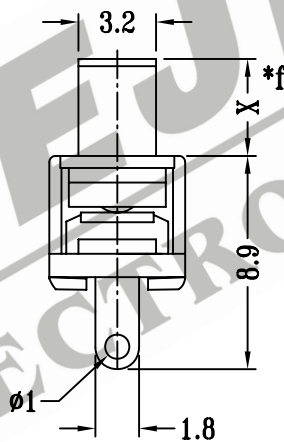
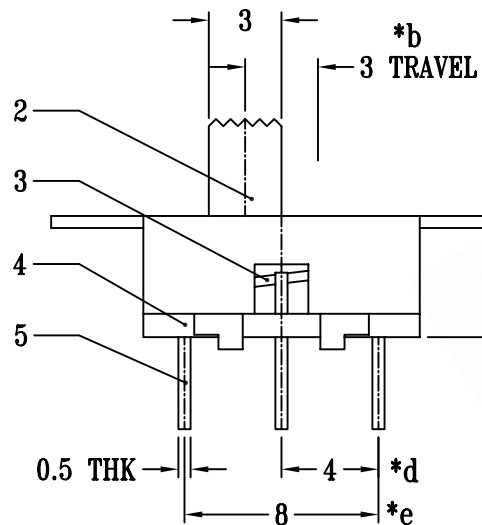
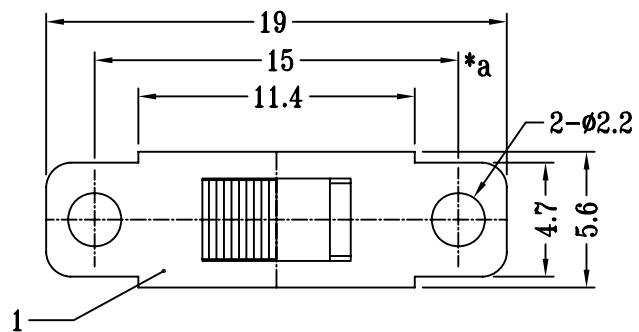
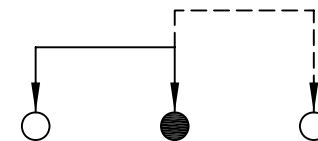


CAD FILE:



P.C.B LAYOUT



SCHEMATIC (NON-SHORTING)

注:带"*"表示关键尺寸(6个)

				TOLERANCE UNLESS SPECIFIED		SHENZHEN XIEJIA ELECTRONICS CO.,LTD.				
				WITHIN: 1.5±0.1mm		A	2005-7-18			
				OVER: 1.5±0.2mm		ISSUE	DATE	DESCRIPTIONS OF REVISION		
				TITLE: VERTICAL SLIDE SWITCH			UNIT: mm	DRWG NO.: XJ-DR-SS12F71-00		
				MODEL: SS-12F71			SCALE: 3:1	DWN.	ZHOUYU	2005-7-18
				ALL MATERIALS MUST BE COMPLIANT TO ROHS			CHK'D	FANGYING	2005-7-18	
NO.	PARTS	MATERIALS	Q'TY	FINISH		APPD.	KANGXINAN	2005-7-18		
8										
7	SPRING	STEEL WIRE	1	NATURAL						
6	STEEL BALL	STEEL	1	NATURAL						
5	TERMINAL	BRASS STRIP	3	Ag PLATED OVER Ni PLATED						
4	BASE	PHENOLIC RESIN	1	NATURAL						
3	CONTACT CLIP	BRASS STRIP	1	Ag PLATED						
2	KNOB	POM	1	BLACK						
1	FRAME	STEEL STRIP	1	BLACK						